

Standby & Prime: 50 Hz



Image shown might not reflect actual configuration

| | |
|-----------------------|--|
| Engine Model | Cat [®] C7.1 Inline 4-stroke Diesel |
| Bore x Stroke | 105.0mm x 135.0mm (4.1in x 5.3 in) |
| Displacement | 7.0 L (427.8 in ³) |
| Compression Ratio | 16.8:1 |
| Aspiration | Turbocharged Air To Air Charge Cooled |
| Fuel Injection System | Inline |
| Governor | Electronic |

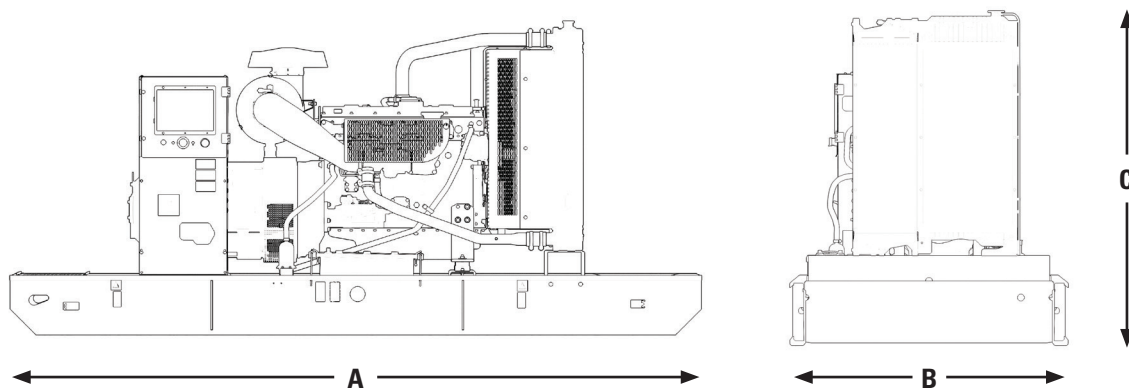
| Model | Standby | Prime | Emission Strategy |
|---------|----------------------|----------------------|-------------------|
| DE200E3 | 50 Hz | 50 Hz | EU IIIA |
| | 200.0 kVA (160.0 kW) | 180.0 kVA (144.0 kW) | |

PACKAGE PERFORMANCE

| Performance | Standby | Prime |
|---|---------------|-------------|
| Frequency | 50 Hz | 50 Hz |
| Genset Power Rating | 200.0 kVA | 180.0 kVA |
| Genset power rating with fan @ 0.8 power factor | 160.0 kW | 144.0 kW |
| Emissions | EU IIIA | |
| Performance Number | P4378B | |
| Fuel Consumption | | |
| Fuel Tank Capacity, litres (US gal) | 394 (104.1) | |
| 100% load with fan, L/hr (gal/hr) | 45.9 (12.1) | 41.9 (11.1) |
| 75% load with fan, L/hr (gal/hr) | 35.9 (9.5) | 32.9 (8.7) |
| 50% load with fan, L/hr (gal/hr) | 25.9 (6.8) | 23.9 (6.3) |
| Cooling System ¹ | | |
| Radiator air flow, m ³ /min (cfm) | 328.0 (11583) | |
| Total coolant capacity, L (gal) | 27.0 (7.1) | |
| Inlet Air | | |
| Max. Combustion Air Intake Restriction, kPa (in H ₂ O) | 8.0 (32.1) | |
| Combustion air inlet flow rate, m ³ /min (cfm) | 13.2 (466) | 12.8 (452) |
| Max. Allowable Combustion Air Inlet Temp, °C (°F) | 50 (122) | |
| Exhaust System | | |
| Exhaust stack gas temperature, °C (°F) | 530 (986) | |
| Exhaust gas flow rate, m ³ /min (cfm) | 31.7 (1119) | 30.2 (1067) |
| Exhaust system backpressure (maximum allowable), kPa (in. water) | 15.0 (4.4) | |
| Heat Rejection | | |
| Heat rejection to jacket water, kW (Btu/min) | 80.8 (4595) | 72.7 (4134) |
| Heat rejection to alternator, kW (Btu/min) | 15.6 (887) | |
| Heat rejection to atmosphere from engine, kW (Btu/min) | 45.4 (2582) | 41.3 (2349) |

| Alternator ³ | 50 Hz | | |
|---|---------|------|------|
| Voltages | 415V | 400V | 380V |
| Motor starting capability @ 30% Voltage Dip, skVA | 428 | 402 | 369 |
| Current, amps | 278 | 289 | 304 |
| Temperature Rise, °C | 163/27 | | |
| Frame Size | LC5114D | | |
| Excitation | S.E | | |

WEIGHTS & DIMENSIONS



Note: General configuration not to be used for installation. See general dimension drawings for detail.

| Dim "A" mm (in) | Dim "B" mm (in) | Dim "C" mm (in) | Dry Weight kg (lb) |
|-----------------|-----------------|-----------------|--------------------|
| 2510 (98.8) | 1010 (39.8) | 1640 (64.6) | 1576 (3474) |

APPLICABLE CODES AND STANDARDS:

AS1359, CSA C22.2 No100-04, UL142, UL489, UL869, UL2200, NFPA37, NFPA70, NFPA99, NFPA110, IBC, IEC60034-1, ISO3046, ISO8528, NEMA MG1-22, NEMA MG1-33, 2006/95/EC, 2006/42/EC, 2004/108/EC.

Note: Codes may not be available in all model configurations. Please consult your local Cat Dealer representative for availability.

STANDBY: Output available with varying load for the duration of the interruption of the normal source power. Average power output is 70% of the standby power rating. Typical operation is 200 hours per year, with maximum expected usage of 500 hours per year.

PRIME: Output available with varying load for an unlimited time. Average power output is 70% of the prime power rating. Typical peak demand is 100% of prime rated kW with 10% overload capability for emergency use for a maximum of 1 hour in 12. Overload operation cannot exceed 25 hours per year.

RATINGS: Ratings are based on SAE J1349 standard conditions. These ratings also apply at ISO3046 standard conditions.

DEFINITIONS AND CONDITIONS

¹ For ambient and altitude capabilities consult your Cat dealer. Air flow restriction (system) is added to existing restriction from factory.

² Emissions data measurement procedures are consistent with those described in EPA CFR 40 Part 89, Subpart D & E and ISO8178-1 for measuring HC, CO, PM, NOx. Data shown is based on steady state operating conditions of 77° F, 28.42 in HG and number 2 diesel fuel with 35° API and LHV of 18,390 BTU/lb. The nominal emissions data shown is subject to instrumentation, measurement, facility and engine to engine variations. Emissions data is based on 100% load and thus cannot be used to compare to EPA regulations which use values based on a weighted cycle.

³ UL 2200 Listed packages may have oversized generators with a different temperature rise and motor starting characteristics. Generator temperature rise is based on a 40° C ambient per NEMA MG1-32.

LET'S DO THE WORK.™